

S10

Smoke Detector - Stand Alone



- Split-spectrum sensor technology
- Test and silence features in one single button, silenced by a working infrared remote controller
- Loud sound output over 85 dB(A) at 3 meters
- Low quiescent current consumption
- Surface-mount device (SMD) circuit board design
- Low battery warning signal
- Sealed lithium battery, easy installation



System Overview

Stand alone Smoke Detector (hereinafter referred to as the device) is designed to continuously monitor smoke concentration. Adopting new split-spectrum sensor and a built-in high-volume buzzer, it responds quickly and becomes highly sensitive with stable performance and low false alarm. Once the surrounding smoke concentration reaches the alarm value, it will promptly send out visual and audible alarm signal to remind the user to take immediate measures.

Scene

The device can be widely used in residential areas such as villas, apartments and dorms, including reading rooms, living rooms, bedrooms and hallways.

Technical Specification

Working Principle

Collection Type	Smoke
Sampling Period	9 s
Sensor Type	Photoelectric

Alarm

Alarm Type	Smoke alarm, fault warning, low battery warning
Alarm Volume	85dB (A) at 3 m (9.84 ft)
Alarm Mode	Visual and audible alarm
Silencing Function	Yes
Silence Duration	9 min
Infrared Silence	Yes

Technical Specification

Alarm Response Threshold	0.2dB/m-0.3dB/m
Basic Parameters	
Indicator Light	Alarm, fault and operation indicator
LED Instructions	Standby: Green indicator flashes once per minute Alarm: Red indicator flashes once per second Fault: Red indicator flashes twice per minute
Coverage Area	When the height of the space is less than 8 m (26.25 ft), the protection area of a device is 20 m ² -40 m ²
Power Supply	
Battery Life	10 years
Power Source	3V CR123A lithium battery (non-replaceable)
Operating Current	Monitoring current: ≤ 15uA (avg.) Alarm current: ≤ 35mA (avg.)
Operating Ambient	
Operating Environment	Indoor
Operating Temperature	-10°C to +55°C (+14°F to +131°F)
Operating Humidity	≤ 95% RH (non condensing)
Appearance	
Color	White
Casing	PC+ABS
Dimensions	∅ 81.5 mm × H51.6 mm (∅ 3.21" × H2.03")
Weight	110 g (0.24 lb)
Installation	Ceiling Mount

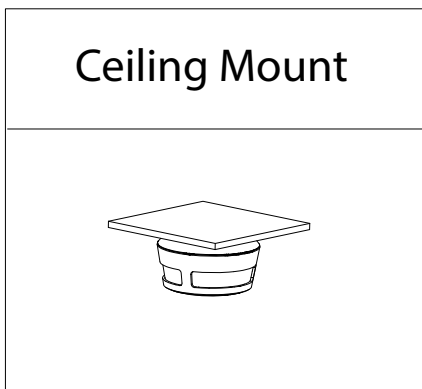
Technical Specification

Certification	
Certifications	RCM
Compliance Standard	AS 3786:2014

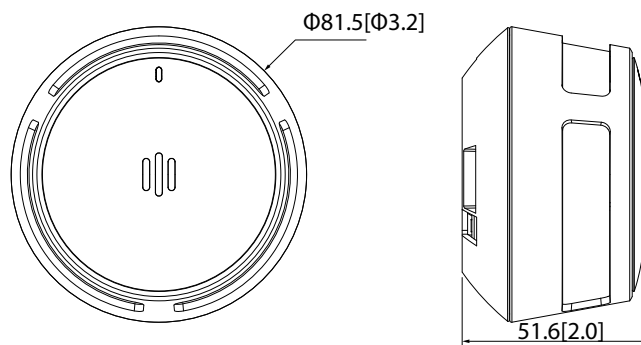
Ordering Information

Type	Part Number	Description
Smoke Alarm	S10	Standalone Smoke Alarm (sealed lithium battery)

Installation



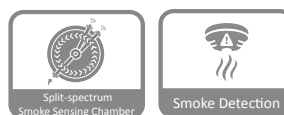
Dimensions (mm/inch)



S10-W



Smoke Detector - Wireless Linkable



- Split-spectrum sensor technology
- Test and silence features in one single button, silenced by a working infrared remote controller
- Loud sound output over 85 dB(A) at 3 meters
- Low quiescent current consumption
- Surface-mount device (SMD) circuit board design
- Low battery warning signal
- Sealed lithium battery, easy installation
- Wireless interconnected with maximum of 24 devices

System Overview

This Smoke detector (hereinafter referred to as the device) is designed to continuously monitor smoke concentration. Adopting new split-spectrum sensor and a built-in high-volume buzzer, it responds quickly and becomes highly sensitive with stable performance and low false alarm. Once the surrounding smoke concentration reaches the alarm value, it will promptly send out visual and audible alarm signal to remind the user to take immediate measures. Moreover, the alarm signal will be pushed to every alarms in the interconnected network and they will raise the alarm in unison.

Scene

The device can be widely used in residential areas such as villas, apartments and dorms, including reading rooms, living rooms, bedrooms and hallways.

Technical Specification

Working Principle

Collection Type	Smoke
Sampling Period	9 s
Working Principle	Photoelectric

Alarm

Alarm Type	Smoke alarm, fault warning, low battery warning
Alarm Volume	85dB (A) at 3 m (9.84 ft)
Alarm Mode	Visual and audible alarm
Silencing Function	Yes

Technical Specification

Silence Duration	9 min
Infrared Silence	Yes
Pre-Set Alarm Value	0.2dB/m-0.3dB/m
Basic Parameters	
Indicator Light	Alarm, fault and operation indicator
LED Instructions	Standby: Green indicator flashes once per minute Alarm: Red indicator flashes once per second Fault: Red indicator flashes twice per minute
Operating Frequency	868MHZ
Radio Signal Range	Up to 1000 m (3280.84 ft) in open air
Maximum Number of Interconnected Units	24pcs
Coverage Area	When the height of the space is less than 8 m (26.25 ft), the protection area of a device is 20 m ² -40 m ²
Power Supply	
Battery Life	10 years
Power Source	3V CR123A lithium battery (non-replaceable)
Operating Current	Monitoring current: ≤ 15uA (avg.) Alarm current: ≤ 35mA (avg.)
Operating Ambient	
Operating Environment	Indoor
Operating Temperature	-10°C to +55°C (+14°F to +131°F)
Operating Humidity	≤ 95% RH (non condensing)

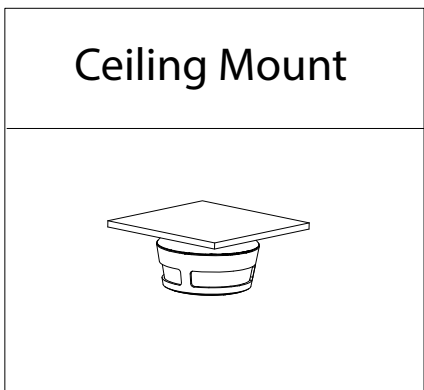
Technical Specification

Appearance	
Color	White
Casing	PC+ABS
Dimensions	Ø 81.5 mm × H51.6 mm (Ø 3.21" × H2.03")
Weight	110 g (0.24 lb)
Installation	Ceiling Mount
Certification	
Certifications	TÜV and CE listed
Compliance Standard	EN 14604:2005+AC:2008 EN 62479:2010 EN 50130-4:2011+A1 EN 301489-1 V 2.2.3:2019 EN 301489-3 V 2.1.1:2019

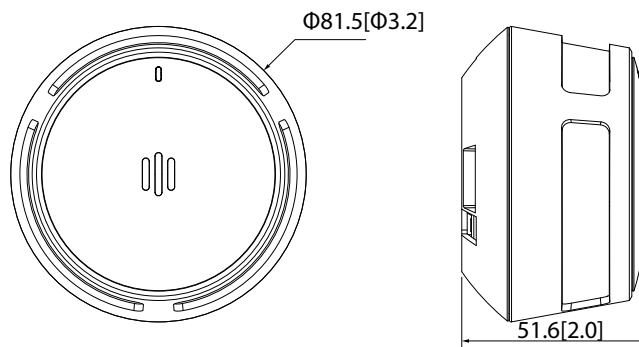
Ordering Information

Type	Part Number	Description
Smoke Alarm	S10-W	Wireless Interconnected Smoke Alarm (sealed lithium battery)

Installation

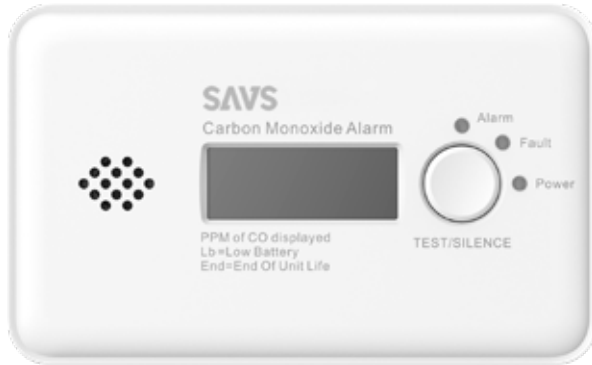


Dimensions (mm/inch)



C10

Carbon Monoxide Alarm - Stand Alone



System Overview

Standalone Carbon Monoxide Alarm is designed to continuously monitor Carbon Monoxide concentration. Adopting advanced electrical technology, a built-in high-volume buzzer, it responds quickly and becomes highly sensitive with stable performance and low false alarm. Once the surrounding Carbon Monoxide concentration reaches the alarm value, it will promptly send out an audible and visual alarm signal to remind the user to take immediate measures.

Scene

Application scenarios include homes, restaurants, hotels and other places that require Carbon Monoxide detection.

Technical Specification

Working Principle

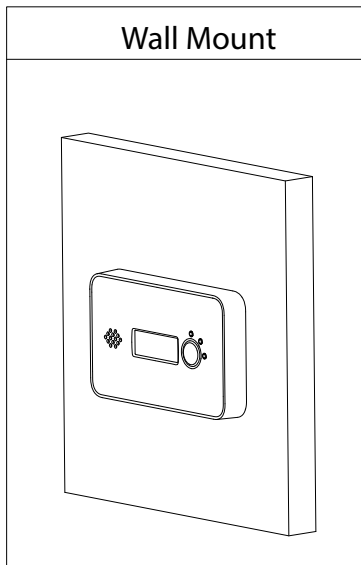
Collection Type	Carbon Monoxide (CO)
Sensor Type	Electrochemical
Alarm	
Alarm Type	CO alarm, fault alarm, low battery warning
Alarm Volume	Over 85dB (A) at 3 m (9.84 ft)
Alarm Mode	Visual and audible alarm
Silence Function	Support
Silence Duration	About 45 seconds
Alarm Response Threshold	50 ppm: 60 min–90 min 100 ppm: 10 min–40 min 300 ppm: < 3 min

- High-performance Figaro electrochemical CO sensor to deliver accurate detection of carbon monoxide leakage and respond quickly
- Long standby time, low power consumption, 10-year battery life
- Support low battery warning, one-click silence, and self-test
- Informative and easy-to-read CO concentration display in screen
- Three indicator lights for displaying device status clearly
- Excellent production, novel appearance, delicate and compact, simple and convenient installation

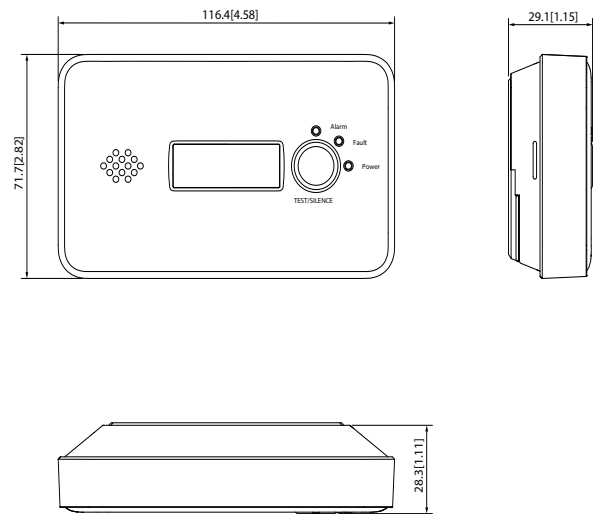
Basic Parameters

Display	LCD
Indicator Light	LED (red/yellow/green)
LED Instruction	Alarm: Red indicator Fault: Yellow indicator Power: Green indicator
Power Supply	
Battery Life	10 years
Power Source	3V CR123A lithium battery (replaceable)
Operating Current	Monitoring Current: ≤20uA Alarm Current: ≤10mA
Operating Ambient	
Operating Environment	Indoor use only
Operating Temperature	−10°C to +40°C (+14°F to +104°F)
Operating Humidity	≤95% RH (non condensing)
Appearance	
Color	White
Material	PC + ABS
Dimensions	116.4 mm × 71.7 mm × 28.3 mm (4.58" × 2.82" × 1.11")
Weight	125 g
Installation	Wall Mount
Certification	
Certifications	TÜV and CE listed
Compliance Standard	EN 50291-1:2018

Installation



Dimensions (mm/inch)



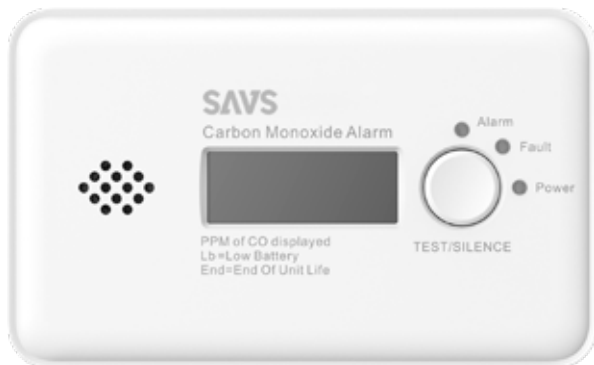
Ordering Information

Type	Part Number	Description
Carbon Monoxide Alarm	C10	Standalone Carbon Monoxide Alarm

C10-W



Carbon Monoxide Alarm - Wireless Linkable




System Overview

This Carbon Monoxide Alarm is designed to continuously monitor carbon monoxide concentration. Adopting advanced electrical technology, a built-in high-volume buzzer, it responds quickly and becomes highly sensitive with stable performance and low false alarm. Once the surrounding CO concentration reaches the alarm value, it will promptly send out an audible and visual alarm signal to remind the user to take immediate measures.

Scene

Application scenarios include homes, restaurants, hotels and other places that require carbon monoxide detection.

Technical Specification

Working Principle

Collection Type	Carbon Monoxide (CO)
Sensor Type	Electrochemical
Alarm	
Alarm Type	CO alarm, fault alarm, low battery warning
Alarm Volume	Over 85dB (A) at 3 m (9.84 ft)
Alarm Mode	Visual and audible alarm
Silence Function	Support
Alarm Response Threshold	50 ppm: 60 min–90 min 100 ppm: 10 min–40 min 300 ppm: < 3 min

- High-performance Figaro electrochemical CO sensor to deliver accurate detection of carbon monoxide leakage and respond quickly
- Long standby time, low power consumption, 7-year battery life
- Three separate LED indicators to provide clear and apparent working status illustration
- Built-in high-volume buzzer with alarm volume 85dB (A) at 3 m (9.84 ft)
- Support low battery warning, one-click silence, and self-test
- Peak level display function to inform users extra potential hazards in home
- Informative and easy-to-read CO concentration display in screen
- End of life warning: LCD display shows End with the buzzer beeping and LED indicator flashing three times per minute

Technical Specification

Basic Parameters

Display	LCD
Indicator Light	LED (red/yellow/green)
LED Instruction	Alarm: Red indicator Fault: Yellow indicator Power: Green indicator
Operating Frequency	868MHz
Radio Signal Range	Up to 1000 m (3280.84 ft) in open air
Maximum Number of Interconnected Units	24pcs

Power Supply

Battery Life	7 years
Operating Voltage	3V DC
Operating Current	Monitoring Current: ≤20uA Alarm Current: ≤20mA

Operating Ambient

Operating Environment	Indoor use only
Operating Temperature	-10°C to +55°C (+14°F to +131°F)
Operating Humidity	≤95% RH (non condensing)

Appearance

Color	White
Material	PC + ABS
Dimensions	116.4 mm × 71.7 mm × 29.1 mm (4.58" × 2.82" × 1.15")
Weight	125 g (0.28 lb)

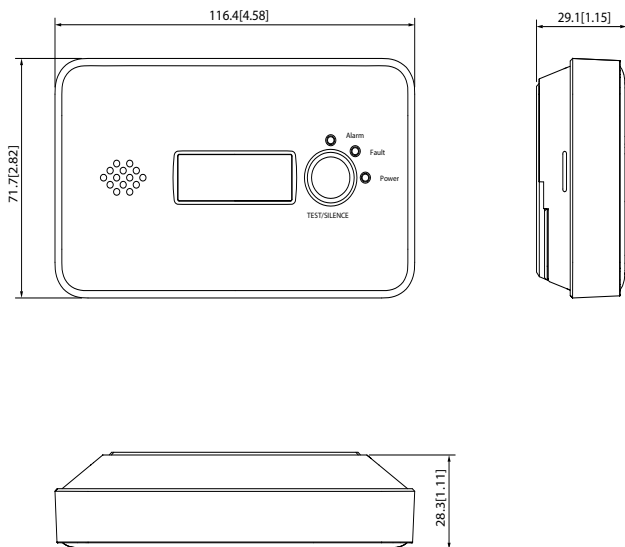
Technical Specification

Installation	Wall Mount
Certification	
Certifications	TÜV and CE listed
Compliance Standard	EN 50291-1:2018

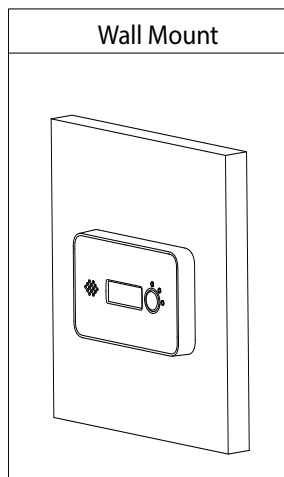
Ordering Information

Type	Part Number	Description
Carbon Monoxide Alarm	C10-W	Wireless Interconnected Carbon Monoxide Alarm

Dimensions (mm/inch)



Installation



H10

Heat Detector - Stand Alone



- Test and silence features in the central push button
- Loud sound output over 85 dB(A) at 3 meters
- Low quiescent current consumption
- Surface-mount device (SMD) circuit board design
- Low battery warning signal
- Class A1 fire detection (54°C to 65°C)
- Response times from typical application temperature

System Overview

Standalone Heat Alarm is specifically designed to continuously monitor temperature. Integrated with a high-precision thermistor and an intelligent algorithm, it triggers an alarm when a predetermined temperature is reached. It is ideal for smoky, dusty, or humid areas that may trigger false smoke alarms, e.g., kitchens where cooking fumes are present and attics, garages boiler rooms where there may be lots of dust. By using heat alarms, you can monitor these areas without worrying about a false alarm. Powered by a 10-year sealed battery, it provides 24/7 protection against fire for a decade.

Scene

Application scenarios include household or similar residential applications such as kitchens and garages.

Technical Specification

Working Principle

Collection Type	Temperature
Sampling Period	10 s
Sensor Type	Thermistor

Alarm

Alarm Type	Heat alarm, fault warning, low battery warning
Alarm Volume	85dB (A) at 3 m (9.84 ft)
Alarm Mode	Visual and audible alarm
Silencing Function	Yes

Technical Specification

Basic Parameters

Indicator Light	Alarm, fault and operation indicator
LED Instructions	Standby: Green indicator flashes once per minute Alarm: Red indicator flashes once per second Fault: Red indicator flashes twice per minute

Power Supply

Power Source	3V CR123A lithium battery (non-replaceable)
Battery Life	10 years
Operating Current	Monitoring current: $\leq 15\mu\text{A}$ Alarm current: $\leq 60\text{mA}$

Operating Ambient

Operating Environment	Indoor
Operating Temperature	-10°C to +55°C (+14°F to +131°F)
Operating Humidity	$\leq 95\%$ RH (non condensing)

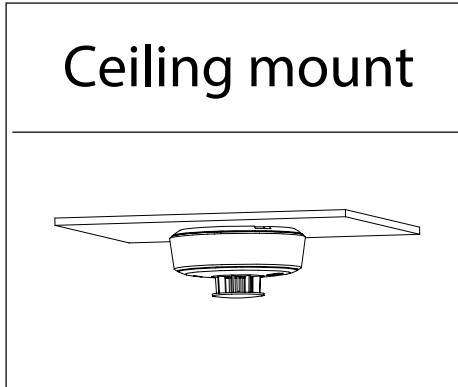
Appearance

Color	White
Casing	PC
Dimensions	$\varnothing 93.8\text{mm} \times \text{H}46.9\text{mm}$ ($\varnothing 3.69" \times \text{H}1.85"$)
Weight	115 g
Installation	Ceiling Mount

Certification

Certifications	CE
Compliance Standard	BS 5446-2:2003

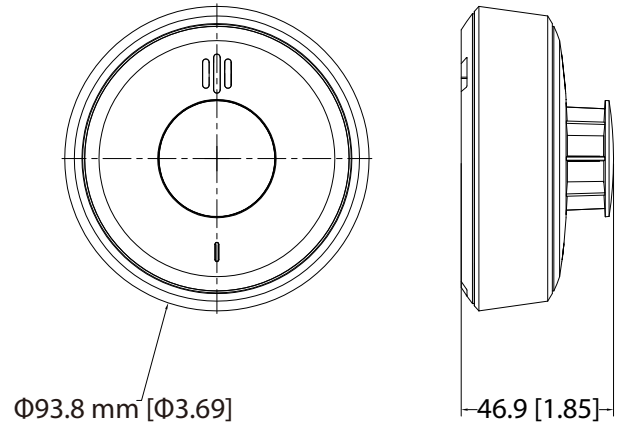
Installation



Ordering Information

Type	Part Number	Description
Heat Alarm	H10	Standalone Heat Alarm

Dimensions (mm/inch)



H10-W



Heat Detector - Wireless Linkable





System Overview

Wireless Interconnected Heat Alarm is specifically designed to continuously monitor abnormal temperature. Integrated with a high-precision thermistor and an intelligent algorithm, it triggers an alarm when a predetermined temperature is reached. It is ideal for smoky, dusty, or humid areas that may trigger false smoke alarms, e.g., kitchens where cooking fumes are present and attics, garages boiler rooms where there may be lots of dust. Powered by a 10-year sealed battery, it provides 24/7 protection against fire for a decade. Moreover, the alarm signal will be pushed to every alarms in the interconnected network and they will raise the alarm in unison.

Scene

Application scenarios include household or similar residential applications such as kitchens and garages.

Technical Specification

Working Principle

Collection Type	Temperature
Sampling Period	10 s
Sensor Type	Thermistor

Alarm

Alarm Type	Heat alarm, fault warning, low battery warning
Alarm at Temperature Range	+54°C to +65°C (+129°F to 149°F)
Alarm Volume	≥ 85dB (A) at 3 m (9.84 ft)
Alarm Mode	Visual and audible alarm
Silencing Function	Yes

- Class A1 fire detection (54°C to 65°C)
- Response times from typical application temperature
- Silenced by a working infrared remote controller
- Wireless interconnected with maximum of 24 devices
- Test and silence features in the central push button
- Loud sound output over 85 dB(A) at 3 meters
- Surface-mount device (SMD) circuit board design
- Low battery warning signal

Technical Specification

Silence Duration	9 min
Silence by IR Remotes	Support
Basic Parameters	
Indicator Light	Alarm, fault and operation indicator
LED Instructions	Standby: Green indicator flashes once per minute Alarm: Red indicator flashes once per second Fault: Red indicator flashes once per minute
Operating Frequency	868 MHz
Radio Signal Range	Up to 1000 m (3280.84 ft) in open air
Maximum Number of Interconnected Units	24 pcs
Power Supply	
Power Source	3V CR123A lithium battery (non-replaceable)
Battery Life	10 years
Operating Current	Monitoring current: ≤15uA Alarm current: ≤60mA
Operating Ambient	
Operating Environment	Indoor
Operating Temperature	-10°C to +55°C (+14°F to +131°F)
Operating Humidity	≤95% RH (non condensing)

Appearance

Color	White
Casing	PC+ABS
Dimensions	Ø 93.8mm × H46.9mm (Ø 3.69" × H1.85")
Weight	115 g
Installation	Ceiling Mount

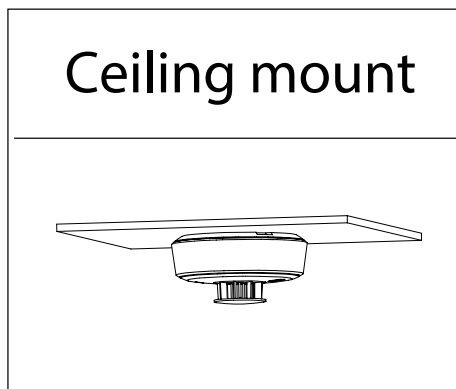
Certification

Certifications	CE, UKCA
Compliance Standard	BS 5446-2:2003

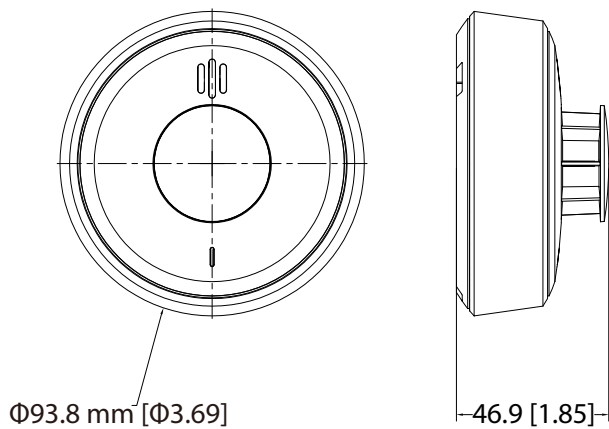
Ordering Information

Type	Part Number	Description
Heat Alarm	H10-W	Wireless Interconnected Heat Alarm

Installation



Dimensions (mm/inch)



G10



Wireless Gateway



System Overview

The G10 Wireless Gateway can pair with LinkSmart® wireless interconnected alarms and work in conjunction with the Wisualarm app to gather data. After the successful pairing, it stays connected to your interconnected alarms at all times with instant app push notifications. In case of a fire or emergency, when one alarm is triggered, all connected alarms will sound an alarm and notifications will be sent to your smart phone, allowing you to know the danger in your home at a glance. You can receive immediate alerts and remotely operate via SAVS® app, no matter where you are.

Technical Specification

General

Power Supply	5.0V/1.0A
Alarm Volume	70 dB
Alarm Mode	Visual and audible alarm
Indicator Light	Alarm, fault and operation indicator
LED Instructions	Standby: Green indicator stays on continuously Pairing: Green indicator flashes quickly (once per 0.5 seconds) Unpairing: All indicators stay on continuously for 3 seconds Alarm: Red indicator stays on continuously Fault: Yellow indicator stays on continuously Distributed the network successfully: Blue indicator stays on continuously AP distribution mode: Blue indicator flashes quickly (once per 0.5 seconds) Reset: Red indicator flashes quickly (once per 0.5 seconds)

Technical Specification

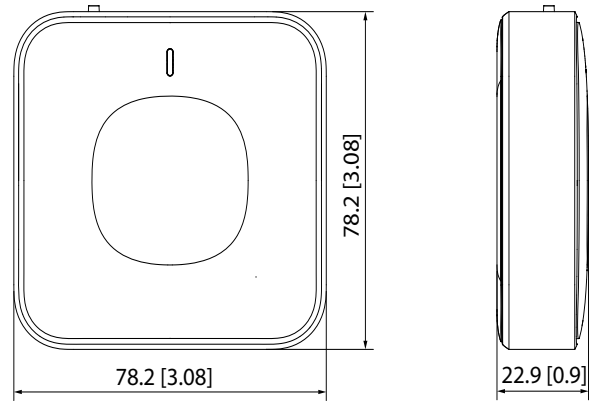
Wi-Fi Frequency	2.4 GHz (Incompatible with 5 GHz Wi-Fi network)
Wi-Fi Transmission Range	50 m (164 ft)
Wi-Fi Protocol	IEEE 802.11b/g/n
Operating Frequency	868 MHz
Maximum Number of Connected Devices	24 LinkSmart® wireless interconnected products
Color	White
Casing	ABS
Dimensions	L78.2mm × W78.2mm × H22.9mm (L3.08" × W3.08" × H0.90")
Weight	60 g (0.13 lb)
Installation	Free-standing/Wall mounting
Operating Temperature	-10°C to +55°C (+14°F to +131°F)
Operating Humidity	≤95% RH (non condensing)
Certifications	CE, UKCA

- Compatible with LinkSmart® wireless interconnected products
- Dual communication based on Ethernet and Wi-Fi
- Support wall mounting or free-standing on the table
- Support OTA software upgrades
- Support 4 LED indicators to illustrate the status of Power, Fault, Alarm and Internet Connectivity

Ordering Information

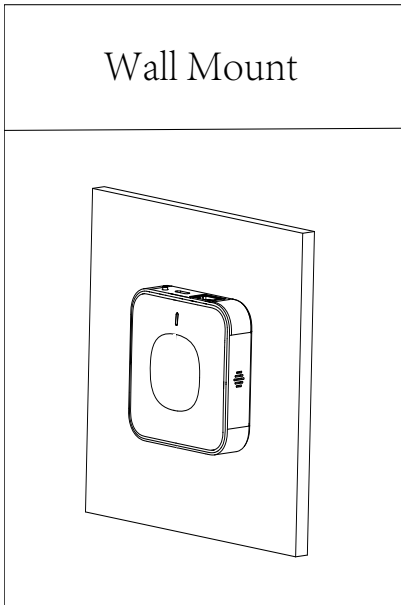
Type	Part Number	Description
Wireless Gateway	G10	Wireless Gateway

Dimensions (mm/inch)



Installation

Wall Mount



Free-standing

